

»FUTURA« series

Pre-filters in modern design for compliance with strict compressed air purity requirements.  
Pre-filters are used to separate solid impurities up to 0.3 µm from compressed air and gases.

|                       |   |
|-----------------------|---|
| Input pressure        | 1.5 - 16 bar  |
| Temperature range     | -10 °C to 50 °C   |
| Medium                | Compressed air, neutral gases   |
| Housing               | PA66 GF60   |
| Connecting thread     | Material: Die-cast zinc   |
| Filter element        | Impregnated paper   |
| Filter rating         | 0.3 µm  |
| Flow rate measurement | At P <sub>2</sub> = 6 bar and pressure drop Δ <sub>p</sub> = 0.02 bar |

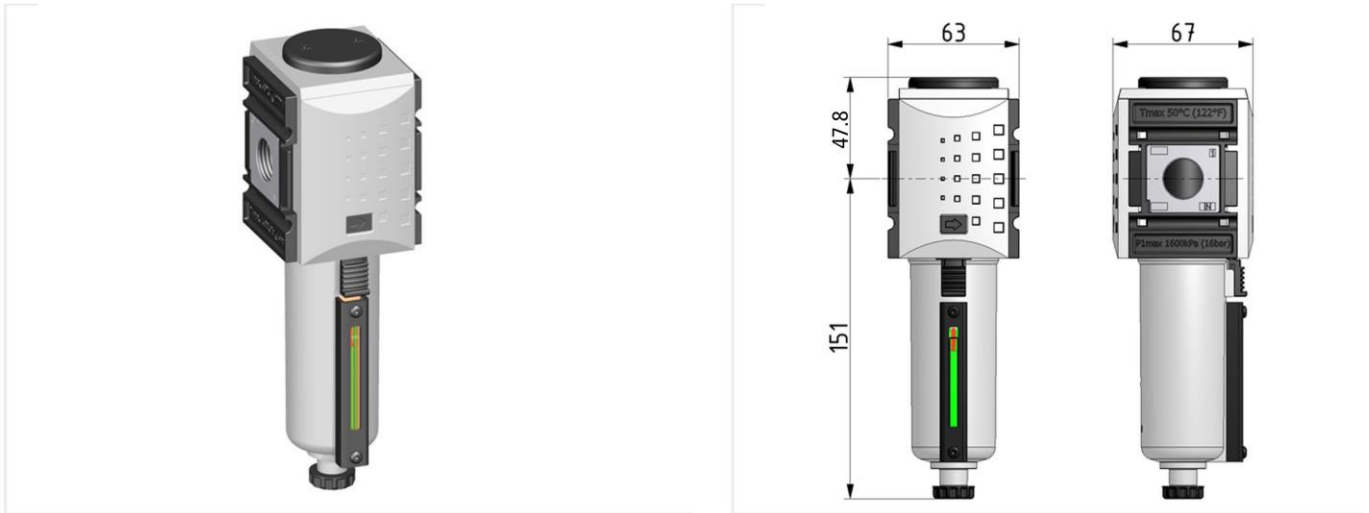
### Pre-filter with metal bowl and sight glass

| Art. No. | Type No. | Thread | Size | Flow rate<br>l/min | Condensate<br>drain |
|----------|----------|--------|------|--------------------|---------------------|
| 139508   | FU 853-M | G 3/8  | 2    | 500                | Semi-automatic      |
| 139509   | FU 854-M | G 1/2  | 2    | 500                | Semi-automatic      |
| 156568   | FU 863-M | G 3/8  | 2    | 500                | Fully-automatic     |
| 156569   | FU 864-M | G 1/2  | 2    | 500                | Fully-automatic     |

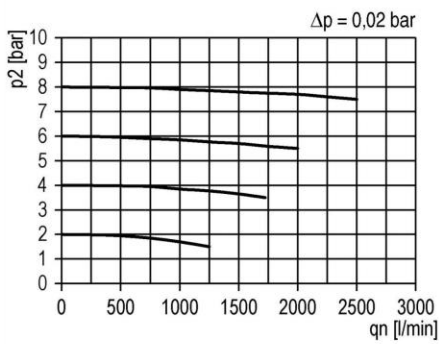
### Accessories / spare parts

| Art. No. | Type No.  | Description   |
|----------|-----------|---|
| 100043   | H 852     | Mounting bracket, incl. 2 screws                          |
| 100044   | WK 102    | Wall bracket, incl. 2 screws                              |
| 100045   | KP 200    | Joiner set, incl. 2 screws                                |
| 100135   | BSF 12    | Polycarbonate bowl, incl. bowl guard                      |
| 100136   | MF 12     | Metal bowl, incl. sight glass                             |
| 100137   | BSF 12-A  | Polycarbonate bowl with automatic drain valve             |
| 100138   | MF 12-A   | Metal bowl, incl. sight glass, with automatic drain valve |
| 100171   | DAF 1     | Differential pressure indicator                           |
| 100172   | DM 34     | Differential pressure gauge                               |
| 100331   | WK 102-38 | Wall bracket with connection thread G 3/8                 |
| 100332   | WK 102-12 | Wall bracket with connection thread G 1/2                 |
| 100333   | WK 102-34 | Wall bracket with connection thread G 3/4                 |
| 100173   | V 864/03  | Filter element (paper-aluminium)                          |
| 100362   | 655.6.900 | Automatic drain valve                                     |

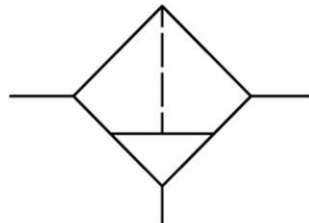
**Semi-automatic:**



**flow characteristic**



**symbol**



Fully-automatic:

